

WELL TESTING TOOLS

- SLICK-LINE UNITS
- MOBILE TESTING UNITS
- SOFTWARE
- INSPECTION AND CALIBRATION TOOLS FOR EQUIPMENT TESTING
- DOWNHOLE GAUGE SYSTEMS

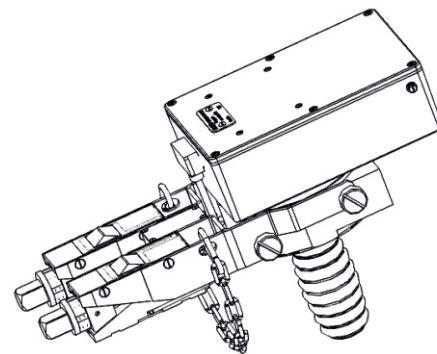
WIRELESS DYNAMOMETERING SENSOR

SIDDOS-automat 3M



WELL TESTING TOOLS

WIRELESS DYNAMOMETERING SENSOR SIDDOS-automat 3M



cuom[®]
SIAM COMPANY

The explosion proof sensors of 1Ex ib IIB T3 Gb X class.

Functions

Automatic sucker rod pump monitoring and efficiency analysis during various field operations.

Features

- A compatible android based smart phone can be used as a Data Storage Terminal (DST);
- Simple user friendly interface (sensor state indicators located on the body of the tool/ survey starts by the signal from DST via wireless interface/all the data stored inside and displayed on the screen of DST);
- Remote connection via Bluetooth. In order to connect the sensor to DST it is necessary to find in by standard search available in Bluetooth protocol;
- Automatic control during test;
- Adjustable jacks for the tool quick set up into intra-traverse space.
- Sensor can be used for a SCADA integration with minimum adjustments.

Specifications

Load measuring range	0 - 10 000 kgf
Position measuring range	0,5 – 9,999 mm
Resolution while controlling the load	10 kgf
Position resolution	0,05 m
Beam rate	1,5 – 15 SPM
Battery operating ON-time	720 hours
Displacement sensor	accelerometer
Operating temperature range	from -40 °C to +50 °C
Weight	3,2 kg
Data transfer interface	USB / Bluetooth
Explosion proof protection / Ingress Protection Rating	1 Ex ib IIB T3 Gb X / IP67

WELL TESTING
TOOLS

MOBILE
TESTING
UNITS

SLICK-LINE
UNITS

DOWNHOLE
GAUGE
SYSTEMS

INSPECTION AND
CALIBRATION TOOLS
FOR EQUIPMENT
TESTING

SOFTWARE

TNPVO «SIAM»
3 Belaya Street
Tomsk 634003,
The Russian Federation
tel +7(3822) 65 38 80
tel +7 (3822) 90 00 08
fax +7(3822) 65 97 97

tnpvo@integra.ru
www.siamoil.ru

