

WELL TESTING TOOLS

- SLICK-LINE UNITS
- MOBILE TESTING UNITS
- SOFTWARE
- INSPECTION AND CALIBRATION TOOLS FOR EQUIPMENT TESTING
- DOWNHOLE GAUGE SYSTEMS

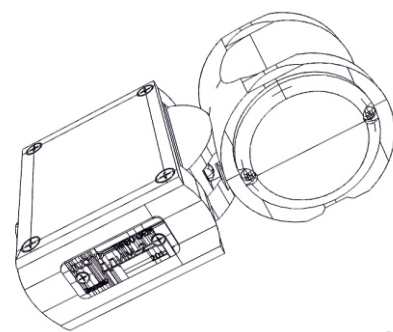
WIRELESS HORSE SHOE DYNAMOMETERING SENSOR

DDIM-2



WELL TESTING TOOLS

Wireless horse shoe dynamometer sensor DDIM-2



cuom[®]
SIAM COMPANY

The explosion proof sensors of 1Ex ib IIB T3 Gb X class.

Functions

- Permanent monitoring of SRP operation;
- Wireless communication with data storage terminal (DST) which displays all recorded;
- DDIM-2 sensor has an integrated power source and no screen or keyboards like a monounit series SIDDOS automat 3 or SIDDOS automat 3M.

Features

- A compatible android based smart phone can be used as a Data Storage Terminal (DST);
- DST provides storage and further transfer into SIAM DB (database) a huge amount of survey data, depending on the model of smartphone;
- Simple user friendly interface (sensor state indicators located on the body of the tool/ survey starts by the signal from DST via wireless interface/all the data stored inside and displayed on the screen of DST);
- Remote connection via Bluetooth. In order to connect the sensor to DST it is necessary to find in by standard search available in Bluetooth protocol;
- Long range of operation distance between DST and Sensor give the opportunity to adjust, control and record the data on a distance upto 50 meters from the wellhead;
- Freeze-proof power source design of sensor allows to charge it within the wide range of operation temperatures (starting from -20 Celsius degrees);
- Durable standalone design and wireless interfaces of the DDIM-2 sensor make it automation appeal. Sensor can be used for a SCADA integration with minimum adjustments.

WELL TESTING
TOOLS

MOBILE
TESTING
UNITS

SLICK-LINE
UNITS

DOWNHOLE
GAUGE
SYSTEMS

INSPECTION AND
CALIBRATION TOOLS
FOR EQUIPMENT
TESTING

SOFTWARE

Specifications

Max controlled load on polished rod	10 000 kgf
- polished rod diameter	16 – 37 mm
- rod stroke	0,5 – 9,999 m
Resolution while controlling the load	10 kgf
Stroke rate	1,5 – 15 SPM
Battery operating ON-time	8640 hours
Operating temperature range	from -40 °C to +50 °C
Weight	1,35 kg
Data transfer interface	USB / Bluetooth
Explosion proof protection / Ingress Protection Rating	1 Ex ib IIB T3 X / IP67

TNPVO «SIAM»
3 Belaya Street
Tomsk 634003,
The Russian Federation
tel +7(3822) 65 38 80
tel +7 (3822) 90 00 08
fax +7(3822) 65 97 97

tnpvo@integra.ru
www.siamoil.ru

